



SNOWPLOW

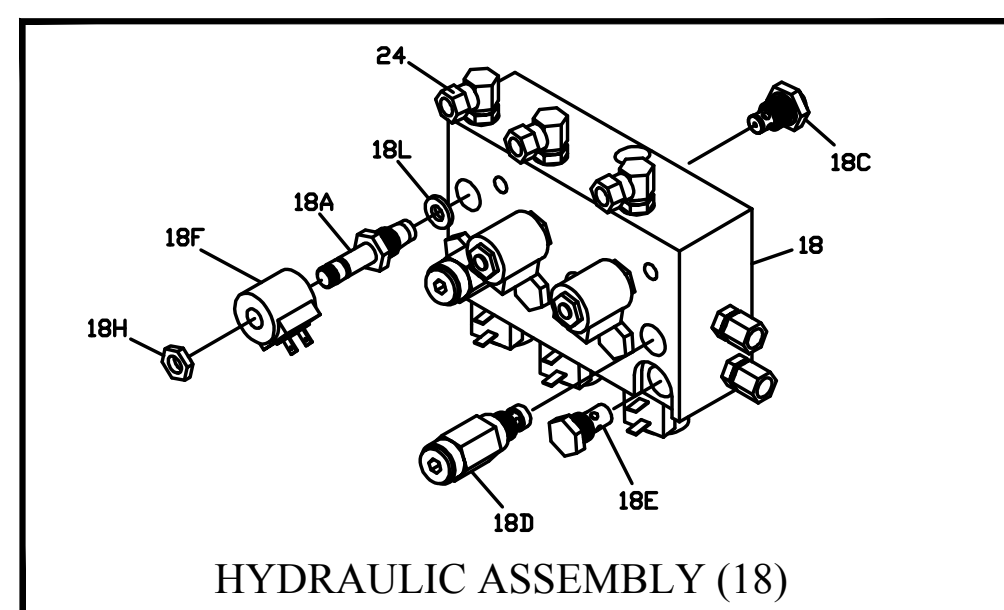
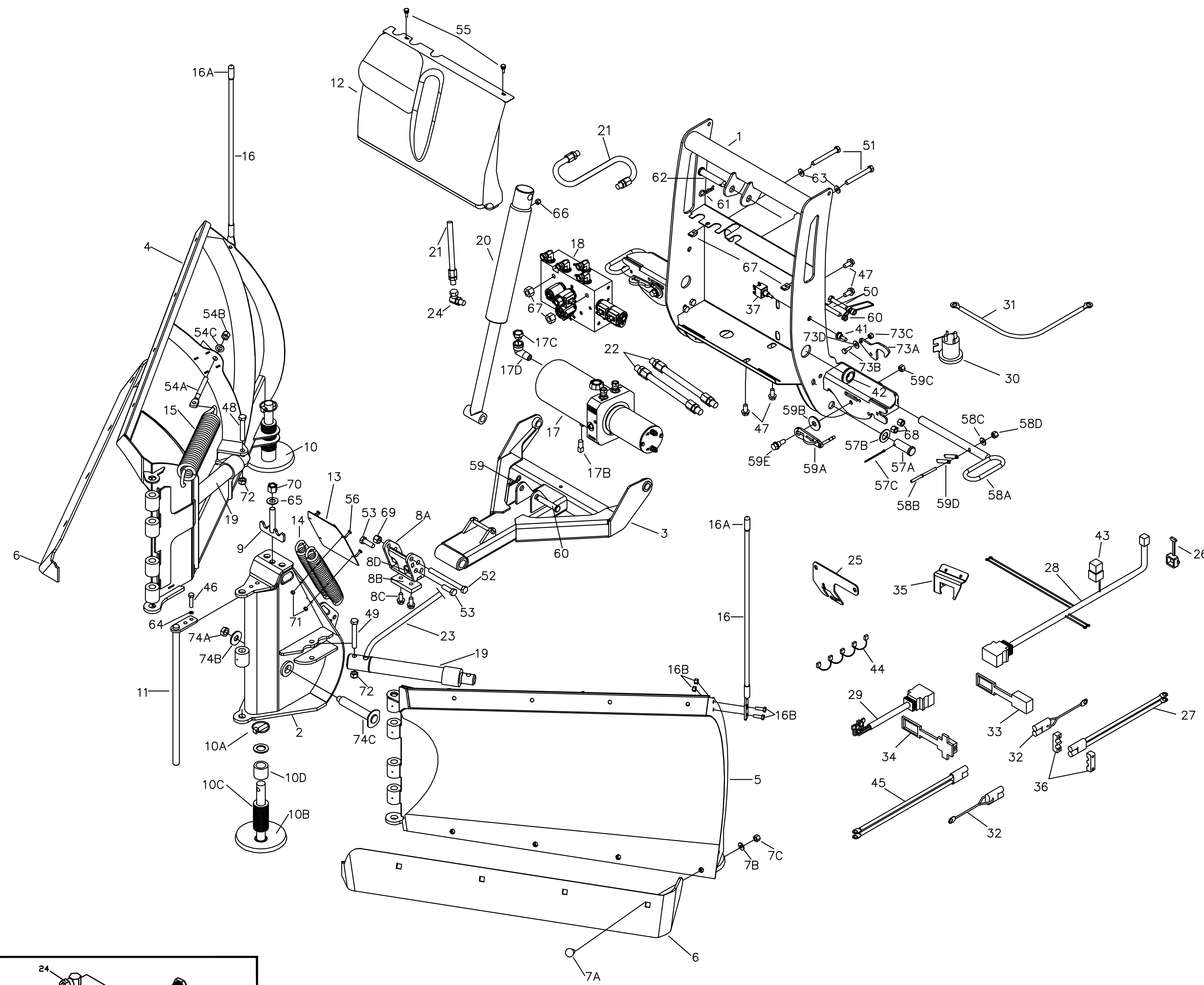
UTV POWER-V XT PLOWS

PARTS EXPLOSION

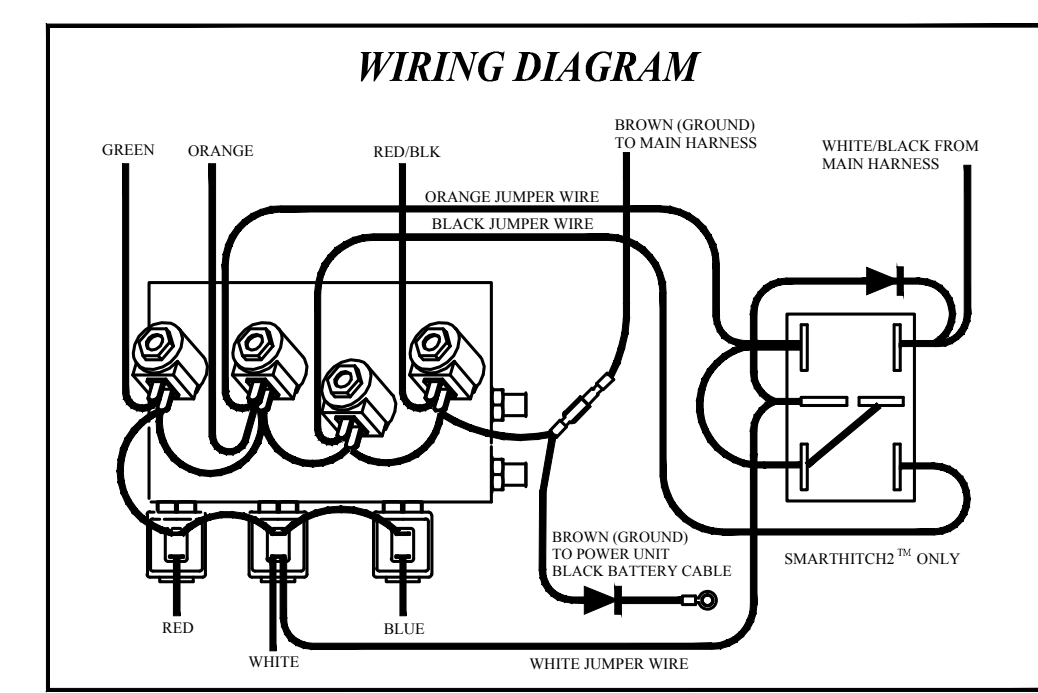
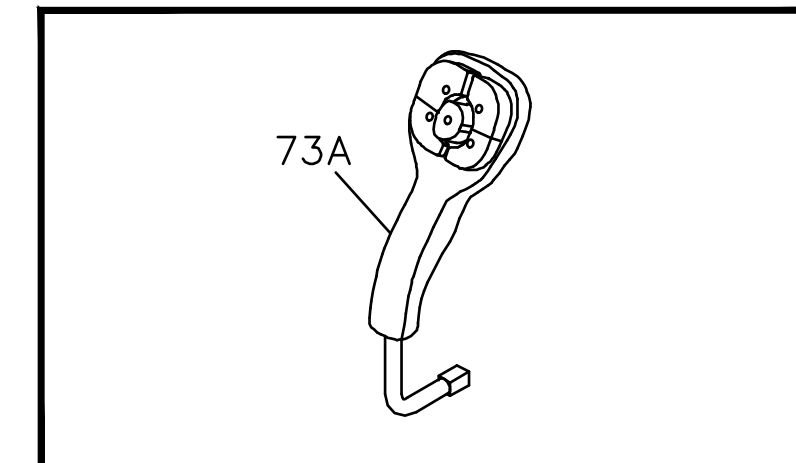
2015-2016



- | MAIN ASSEMBLIES | |
|--|----------|
| 1 Coupler Assembly | CPA12140 |
| 2 Center Section | CHA13050 |
| 3 Pushbars | FR13105 |
| 4 Blade Half Right, 66" RT3 Power V-XT | BAR13265 |
| 5 Blade Half Left, 66" RT3 Power V-XT | BAL13100 |
| CUTTING EDGES | |
| 6 Cutting Edge Half, Formed, Passenger Side, 66" Power-V RT3 | BAR13201 |
| 7 Cutting Edge Half, Formed, Driver Side, 66" Power-V RT3 | BAL13101 |
| 7A Carriage Bolt Set | BAX00054 |
| 7B Includes: (8) Carriage Bolt 1/2" - 13 X 1-3/4" GR5 | |
| 7C (8) Washer, 1/2" Hardened | |
| 7D (8) Nut, Oval Top Lock 1/2" | |
| PLOW COMPONENTS | |
| 8 Bumper Stop, with Mounting Hardware | CHA13040 |
| 8A Includes: (1) Bumper Stop Bracket | |
| 8B (1) Bumper Stop | |
| 8C (2) Hex Head Cap Screw, 3/8" - 16 X 2" GR5 YZN | |
| 8D (2) Nut, Self-Locking 3/8" - 16 YZN | |
| 9 Spring Yoke (66" RT3 Power V-XT) | MSC13085 |
| 10 Plow Shoe Assembly, Steel | MSC01570 |
| 10A Includes: (1) Quick Pin, 7/16" | |
| 10B (1) Flow Shaft (1" Shaft), Cast | |
| 10C (25) Washer, 1" PLT | |
| 10D (1) Spacer, 1-1/2" Long | |
| 11 Center Hinge Pin (66" RT3 V-Blade) | MSC13060 |
| 12 Hydraulic Enclosure Cover | CPA04423 |
| 13 Center Section Cover | CPA13059 |
| 14 Spring, Trip | MSC13071 |
| 15 Spring, Wing Return (66", 76", 82", 92", 10" RT3 Power-V) | MSC01509 |
| 16 Blade Guide (Set of 2) | MSC01870 |
| 16A Includes the Following Commonly Ordered Parts: | |
| 16B Blade Guide Kit, Set of Two | MSC01562 |
| 16C Fastener Kit | HDW08846 |
| HYDRAULIC POWER UNIT | |
| 17 Hydraulic Pump - Power Unit (Serial # 180086 and Up) | HYD12239 |
| 17A Includes the Following Commonly Ordered Parts (HYD12239) | |
| 17B Hydraulic Pump Filter Cap | HYD01636 |
| 17C Hydraulic Reservoir Drain Plug | HYD01712 |
| 17D Fill Cap (For Street Elbow) | HYD04810 |
| 17E Street Elbow (Not included with HYD12239) | HYD04809 |
| 17F Hydraulic Pump Motor | HYD12245 |
| 17G Hydraulic Pump | HYD09330 |
| 17H Seal Kit, Power Unit | HYD09366 |
| 17I Relief Valve (2,000 PSI) | HYD09365 |
| HYDRAULIC VALVE ASSEMBLY | |
| 18 Hydraulic Valve Assembly, SmartHitch Ready, UTV, (Blue) | HYD12280 |
| 18A Includes: Hydraulic Valve, Lift/Angle Cartridge | HYD01637 |
| 18B Hydraulic Valve, SmartHitch2 Attach (Optional, Not Pictured) | HYD07047 |
| 18C Hydraulic Valve, Flow Control | HYD07048 |
| 18D Relief Valve, V-Plow (2,000 PSI) | HYD01639 |
| 18E Check Valve | HYD01640 |
| 18F Coil, Hydraulic Valve - used with valve HYD01637 | HYD01638 |
| 18G Nut, Coil - used with valve HYD01637 & HYD07029 | HYD07029 |
| 18H Nut, Coil - used with valve HYD07047 (Optional, Not Pictured) | HYD07060 |
| 18L Orifice Disc (0.05" ID) | HYD07110 |
| CYLINDERS | |
| 19 Hydraulic Angle Cylinder | HYD12285 |
| 19A Seal Kit for Hydraulic Angle Cylinder HYD12285 | HYD12822 |
| 20 Hydraulic Lift Cylinder | HYD09388 |
| HOSES & FITTINGS | |
| 21 Hydraulic Hose (SmartHitch2 & Lift) 1/4" X 15-1/2", (1/4" MNPT X 1/4" MNPT) | HYD01695 |
| 22 Hydraulic Hose 1/4" X 14", (1/4" ORB X 1/4" MNPT) | HYD09967 |
| 23 Hydraulic Hose (Angle) 3/8" X 40", (1/4" MNPT X 3/8" MOR) | HYD07575 |
| 24 Hydraulic Swivel Fitting, 90 Degree (Minnifield) (1/4" ORS X 1/4" FPS) | HYD01620 |
| ELECTRICAL | |
| 25 Plug Bracket, (Control Plug) | MSC12829 |
| 26 Weather Cap (Control Plug) | MSC12830 |
| 27 Power Ground Cable (Vehicle Side) | HYD12214 |
| 28 Control Harness (Vehicle Side) | MSC12211 |
| 29 Control Harness (Plow Side) | MSC12212 |
| 30 Solenoid, Hydraulic Pump | HYD01633 |
| 31 Battery Cable, 24" | HYD12814 |
| 32 Power Ground Cable Dust Cap/Plug (Vehicle & Plow) | MSC03721 |
| 33 Weather Plug for Control Harness (Vehicle Side) | MSC03743 |
| 34 Weather Plug for Control Harness (Plow Side) | MSC03744 |
| 35 Control Harness Mounting Bracket | MSC12633 |
| 36 Power Ground Cable Mounting Bracket | MSC03491 |
| 37 SmartHitch2 Toggle Switch Kit (Includes Switch & Jumpers) (Optional) | MSC04744 |
| 38 Switch, SmartHitch2 Toggle (Optional) | MSC03889 |
| 39 Wiring Harness, SmartHitch2 (Orange) | MSC04672 |
| 40 Wiring Harness, SmartHitch2 (White and Black) | MSC04673 |
| 41 Switch Boot, SmartHitch2 | MSC04238 |
| 42 Rubber Grommet - for control harness in coupler tower | MSC04566 |
| 43 Relay, 12V | MSC04294 |
| 44 Ground Strap, V-Blade | MSC08851 |
| 45 Power Ground Cable (Plow Side) | HYD12215 |
| OPTIONS & ACCESSORIES | |
| Dielectric Grease (1 oz.) | MSC03423 |
| (2) Boss High Performance Hydraulic Fluid - 1 Quart | HYD01835 |
| Boss High Performance Hydraulic Fluid - Case (12 Quarts per) - Optional | HYD01804 |
| Sight System - Optional | MSC09644 |
| Deflector Kit - Optional | MSC13099 |
| Cutting Edge Kit, Polyurethane, Left - Optional | BAL13104 |
| Cutting Edge Kit, Polyurethane, Right - Optional | BAR13204 |



- | BOLTS | |
|--|----------|
| 46 Hex Head Cap Screw, 3/8"-16 X 1-1/2" GR5 YZN | HDW01719 |
| 47 Hex Head Cap Screw, 3/8"-16 X 3/4" Washer HD Spinlock, YZN (Pump to Coupler) | HDW05502 |
| 48 Hex Head Cap Screw, 3/8"-16 X 3/4" GR5 YZN | HDW05508 |
| 49 Hex Head Cap Screw, 1/2"-13 X 3-1/2" GR5 YZN | HDW01779 |
| 50 Hex Head Cap Screw, 3/8"-16 X 2" GR5 (SmartHitch Torsion Spring) | HDW05515 |
| 51 Hex Head Cap Screw, 3/8"-16 X 3-1/4" GR5 YZN (Manifold to Coupler) | HDW05573 |
| 52 Hex Head Cap Screw, 1/2"-13 X 5-1/2" GR5 YZN (Bumper Stop) | HDW05525 |
| 53 Hex Head Cap Screw, 1/2"-13 X 1-1/2" GR5 YZN (Bumper Stop) | HDW01728 |
| 54 Spade Bolt Set, 1/2"-13 X 5-1/4" w/Nuts (69", 76", 82", 92", 10" RT3 Power-V) | HDW01744 |
| 54A Includes: (2) Spade Bolt Set, 1/2" X 5-1/4" (To Hole Center) YZN | |
| 54B (2) Nut, 1/2" NC NY NY/NS Lock YZN | |
| 54C (2) Washer, 1/2" Flat YZN | |
| 54D (2) Push Nut Retainer, 3/8" YZN | |
| 55 Thumb Screw, 10-24 X 1/2" (Hydraulic Cover) | HDW05574 |
| 56 Hex Head Cap Screw, 10-32 X 1" ST/ST (Center Section Cover) | HDW05860 |
| PINS, NUTS, WASHERS & OTHER HARDWARE | |
| 57 Coupler Pivot Pin, Kit | MSC09586 |
| 57A Includes: (1) Pivot Pin, 3/4" X 2" YZN | |
| 57B (1) Washer, 3/4" YZN | |
| 57C (1) Cotter Pin, 3/16" X 2-1/2" YZN | |
| 58 Coupler Spring Pin Kit | MSC09587 |
| 58A Includes: (1) Coupler Spring Pin | |
| 58B (1) 1/4" Stop Pin YZN | |
| 58C (1) Nylon Washer, 1/4" | |
| 58D (1) Nut, Nylon Locking, 1/4" - 20 YZN | |
| 59 Coupler Spring Pin Release Kit | MSC04676 |
| 59A Includes: (1) Coupler Spring Pin Release Handle | |
| 59B (1) Coupler Spring Release Nylon Washer | |
| 59C (1) Nut, 3/8" Locking YZN | |
| 59D (2) Coupler Spring Pin Release Springs | |
| 59E (1) Shoulder Bolt w/Flange, 3/8" - 16 YZN | |
| 60 Spring, SmartHitch Torsion | MSC04227 |
| 61 Hairpin Cotter, #16 YZN | HDW05544 |
| 62 Clevis Pin, 5/8" X 2" YZN | HDW05614 |
| 63 Washer, 3/8" Star YZN (Manifold Ground to Coupler) | HDW04670 |
| 64 Washer, 3/8" Split Lock, YZN (Center Hinge Pin) | HDW01718 |
| 65 Washer, 5/8" Flat YZN | HDW01726 |
| 66 Breather Vent Fitting, 1/4" MP (w/o SmartHitch2) | HYD07078 |
| 67 Nut, Cage 10 - 24 PLT Black (Hydraulic Cover) | HDW05546 |
| 68 Nut, Self Locking 3/8"-16 YZN | HDW01720 |
| 69 Nut, Self Locking 3/8"-13 YZN | HDW01748 |
| 70 Nut, Self Locking 5/8"-11 YZN | HDW05619 |
| 71 Nut, Self Locking 10-32 ST/ST | HDW05856 |
| 72 Nut, Top Lock 1/2"-13 GR5 YZN | HDW05597 |
| 73 Latch Kit (69", 76", 82", 92", RT3 Power-V) | MSC04687 |
| 73A Includes: (1) Latch | |
| 73B (1) Hex Head Cap Screw, 1/4" - 20 X 3/4" GR5 YZN | |
| 73C (1) Nylon Washer 1/4" | |
| 73D (1) Nut, Nylon Locking 1/4" - 20 YZN | |
| 74 Horizontal Hinge Pin Kit (66" Power-V) | MSC13092 |
| 74A Includes: (1) Jam Nut, 5/8"-11 YZN | |
| 74B (1) Washer, 1 1/16" ID X 1-3/4" OD, YZN | |
| 74C (1) Pin, Horizontal Hinge, Threaded, UTV RT3 | |
| CONTROLLER | |
| 73 Smart Touch2, Hand Held Control, UTV V-Blade Control Kit | MSC12075 |
| 73A Includes: V-Blade Hand Held Control | MSC09061 |
| Swivel Mount Kit | MSC05058 |



SLS12852-3

BOSS Products reserves the right under its continuous product improvement policy to change construction or design details and furnish equipment when so altered without reference to illustrations or specifications used herein.

Patent: www.ttcopats.com